

# GP

*Series*

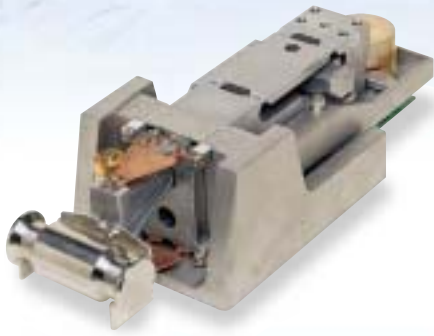


*A new contender in the industrial  
balance field*



**AND** ...Clearly a Better Value  
A&D Company, Limited  
<http://www.aandd.jp>

# The World's Most



*The GP Series incorporates our enhanced weighing sensor, Double Leveraged Super Hybrid Sensor (SHS).*

*Building on the basic SHS features of fast and stabilization, our enhanced SHS technology brings the most accurate weighing results to the industrial balances in 12kg to 101kg capacities class.*



## Internal Calibration

The GP internal calibration with an internal mass saves time and money. External calibration requires a great deal of skill, time and an expensive external mass. With our internal calibration with internal mass, the balance is calibrated very quickly.

- Automatic Self Calibration – Self-calibrates automatically when the balance detects ambient temperature changes
- One Touch Automatic Calibration – Allows you to calibrate the balance on demand with just the push of a button.
- Calibration is essential for accuracy in weighing. For example, in high resolution balances, changes in sensitivity drift can be caused by changes in the ambient temperature. Take the GP-30K for example, the weight might change by 0.9g with a change of 10 °C. (Sample's weight: 30kg)
- Thanks to our Double Leveraged Super Hybrid Sensor, the GP's motor-driven internal calibration mass is equivalent to a 50kg calibration mass in terms of top loading capacity on the weighing pan. The adjusted weighing accuracy is within  $\pm 15$  digits in relation to the weighing capacity while conforming to the OIML's Class II balances definitions after using GP's internal calibration mass.

## Standard WinCT

WinCT (Windows Communication Tools Software), provides easy transmission of weighing data from A&D balances to a computer using the RS-232C interface. Quickly exports data into Windows applications in a manageable format limited only by the computer's capabilities.

## RS-232C Interface

Using a USB/RS-232C Converter, you can transfer data between a USB equipped PC and a GP balance. This also makes your GP balance hot-swappable-no need to turn the balance and computer off before disconnecting the balance.

# Most User-Friendly Industrial



## GP-S

with detachable display unit

GP-30KS — (31kg/0.1g)

GP-100KS — (101kg/1g)

## GP Series

with Swing Arm display type

- GP-12K (12kg/0.1g)
- GP-20K (21kg/0.1g)
- GP-32K (6.1kg/0.1g\* · 31kg/1g)
- GP-30K (31kg/0.1g)
- GP-40K (41kg/0.5g)
- GP-60K (61kg/1g)
- GP-100K (101kg/1g)
- GP-102K (61kg/1g\* · 101kg/10g)



Super Hybrid Sensor



Vacuum Fluorescent



Full Digital Calibration



Complies with GLP/GMP format



RS-232C Serial Interface



IP-65 resistant to water & dust



HI/OK/LO Comparator



Automatic Counting Accuracy Improvement



Windows Communication Tools Software



Display Auto Power OFF



Internal Calibration



Detachable Display Unit

### \* SmartRange

The GP-32K and GP-102K have the precision and standard ranges. The precision range has a higher resolution and the standard one is normal resolution. Pressing the RE-ZERO key allows weighing in the precision range, regardless to the tare value. (SmartRange function). SmartRange function enables you to weigh or add samples in the precision range without removing container and/or those objects that have been placed on the pan.

# Industrial Balances...

## Swing Arm Display

Compliant IP-65 **IP65**  
(resistant to dust, water and moisture)

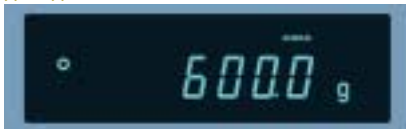


## Clear & Large VFD Display

**888** VFD Display Easy to see - even in the dark / Wide angle view prevents mistakes



### ANIMAL

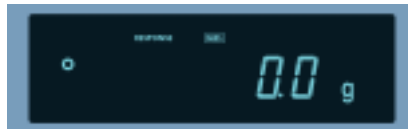


**Animal Weighing Mode** allows you to quickly and accurately determine the weight of any live or unstable subject. Optional animal weighing pan (GP-12) is available.

### ACA



**Automatic Counting Accuracy Improvement (ACA)** is a novel and useful approach to ensuring the utmost in performance when counting even the smallest of items. ACA automatically updates and refines the average piece weight used to determine the total quantity.



**Automatic Adjustable Environment Setting** Adapts to the most suitable Environment Response Setting automatically with one-touch key operation. The response annunciator displays "FAST", "MID" and "SLOW."

**Manual Response Adjustment** can be set by pressing the MODE key and response speed can be adjusted to FAST, MID or SLOW.



**Percentage Function** facilitates an effective and quick comparison of a sample or commodity against a known reference mass. Simply place an object on the pan to register its weight as 100%. Place another object on the pan to compare its weight in percentage mode.

### COMPARATOR



**Standard Comparator Function** offers increased flexibility and compatibility for a vast number of applications. You can input a target weight and weigh heavier or lighter items using either the keyboard or by placing samples on the pan. Hi, OK or Lo will be indicated on the display to show the comparison results.



**Overall Capacity Indication** is a unique and helpful feature. By indicating how much of the balance's capacity has been filled, the risk of overloading the balance is minimized.



## **IP65** IP-65 Splash Proof Keyboard, Display and Base Units

Balances protected from dust and spills up to IP65 level

## **GLP** GLP/GMP/ISO Compliance

Allows GLP, GMP and ISO balance management by outputting the Balance ID number and data used to calibrate the balance. The data can be output to A&D's AD-8121B printer or a PC, indicating date, time, Balance ID number, serial number and calibration data.

```
A&D
MODEL: GP-30K
S/N: 01234567
ID: ABCDEF8
DATE: 2001-05-15
TIME: 12:34:56
CALIBRATED<INT.>
SIGNATURE
```



## Standard RS-232C

Bi-directional communication with a PC or connect directly to a printer

## Commands

A PC can control the balance by sending commands to the balance.

- Command to query weighing data
- Command to control the balance
- Command to control the memory function
- Command to control the comparator function

## ID Number

The balance ID number can be set. It is used to identify the balance when GLP is used. The ID number is memorized and maintained once it is fixed, even if the AC adaptor is removed.

## Optional Underhook

Ideal for density determination and weighing magnetic substances

- GP-20 Underhook for GP-12K/20K/32K/30K/40K/30KS
- GP-21 Underhook for GP-60K/100K/102K/100KS

## Density Determination of a Solid Object

The GP has a density determination mode, which is available after changing the internal parameter settings.

Once the object's weight in the air, in liquid and the liquid density are input, the solid density will be calculated.

It is useful to determine concrete's density.

## Enlargement Indication of HI, OK, LO Symbols

With MODE key pressed during usual HI, OK or LO indication, the display is refreshed from  $3.0000\text{kg}^{\text{HI}}$  to  $\text{HI kg}$ . The letters (HI, for example), can be enlarged.

## Accumulation of Weighing Results

GP can accumulate the weighing results and display and output them.

## Data Memory

Format the data memory function for:

- 200 sets of weighing data
- 100 sets of weighing data with Time & Date
- 20 sets of Tare values
- 50 sets of GLP data-Time & Date, Calibration Data, ID Number and Serial number
- 50 sets of Unit Weight for Counting mode
- 20 sets of comparator Upper & Lower Limits

## Time & Date

Standard Time & Date Function complies with GLP and Interval Weighing in the Data Memory function.

## Auto Self Checking

Automatically checks itself when setting the Automatic Adjustment Environment.

## Interval Time Setting

Weighing intervals of 2, 5, 10, 30 seconds and 1, 2, 5, 10 minutes in the Data Memory Function.

## Auto Re-Zero

Re-Zeros automatically after data output

## Large Stainless Steel Weighing Pan

384mm x 344mm for GP-12K/20K/32K/30K/30KS/40K/60K  
386mm x 346mm for GP-100K/100KS/102K

## Multiple Weighing Units & Programmable Unit

Uses programmable or standard units of measure (g, kg, lb, OZ, ct, dwt, OZt, mom, TL, MS, tola and DS)

## Air Bubble Leveling

Easily check the balance for level installation

## SmartRange

For more accurate weighing, SmartRange function is provided on the GP32K (6.1kg x 0.1g/31kg x 1g) and GP-102K (61kg x 1g/101kg x 10g).

## Built-In Internal Calibration Mass

The GP has a built-in internal calibration mass.

Internal calibration mass is equivalent to a 50kg calibration mass in terms of top loading capacity on the weighing pan.

## Display Auto Power OFF

Display turns off after 10 minutes of inactivity, which can be disabled when not needed.

## Auto Power ON

Plug it in and it turns ON without pressing the ON/OFF key.

## Specifications

	GP-12K	GP-20K	GP-32K	GP-30K GP-30KS	GP-40K	GP-60K	GP-100K GP-100KS	GP-102K
Models								
Weighing Capacity	12kg	21kg	31kg	31kg	41kg	61kg	101kg	101kg
Resolution	0.1g		1g/0.1g(Smart Range)	0.1g	0.5g	1g		10g/1g(Smart Range)
Repeatability (Standard Deviation)	0.1g		0.5g/0.1g	0.1g	0.5g	0.7g	1g	5g/1g
Linearity	±0.2g		±1g/±0.2g	±0.2g		±1g		±2g
Stabilization Time	1.5 seconds (TYP at FAST mode)							
Accuracy just calibrated by internal mass	±1.0g			±1.5g		±5g	±10g	
Sensitivity Drift (10°C-30°C/50°F-86°F)	±3ppm/°C		±5ppm/°C	±3ppm/°C	±5ppm/°C	±6ppm/°C		±10ppm/°C
Operating Temperature	5°C to 40°C (41°F to 104°F), 85% RH or less (No condensation)							
Sensing Method	Super Hybrid Sensor (SHS)							
Display Type	Vacuum Fluorescent Display (VFD)							
Display Refresh Rates	5 times/second or 10 times/second							
Weighing Units and Modes	g, kg, lb, L OZ, OZ, ct, dwt, OZt, mom, TL, MS, tola, DS and % and counting PCS [Weighing units g, ct, and dwt are not available on GP-102K]							
Counting Mode	Minimum unit mass	0.1g		1g	0.1g	0.5g	1g	10g
	Number of samples	10, 25, 50 or 100 pieces						
Percent Mode	Min. 100% reference mass	10g		100g	10g	50g	100g	1000g
	Min. 100% display	0.01%, 0.1%, 1% (automatically switches depending on the reference mass stored)						
Standard Interface	RS-232C Serial Interface with Windows Communication Tools (WinCT)							
Recommended External Calibrating Weight	5kg	10kg	20kg	20kg	20kg	30kg	60kg	
	10kg	20kg	30kg	30kg	30kg	40kg	80kg	100kg
Water & Dustproof Level	Complies with IP-65 (International Protect), covers the entire apparatus							
Weighing Pan	Stainless steel weighing pan (Wash down type)			384mm x 344mm			386mm x 346mm	
Calibration	Motor-driven internal calibration mass with SHS							
External Dimensions	372(W)x615(D)x130(H)mm (Note: GP-30KS is 344(W)x442(D)x130(H)mm)						373(W)x615(D)x130(H)mm (Note: GP-100KS is 346(W)x443(D)x130(H)mm)	
	Please confirm that the adaptor is correct for the local voltage and power receptacle.							
AC Adaptor	Approximately 14VA (supplied by AC adaptor)							
Power Consumption	Approximately 14VA (supplied by AC adaptor)							
Net Weight	Approximately 17kg						Approximately 18kg	

## Options

- GP-04: Comparator Output (Relay with Buzzer) / RS-232C / Current Loop
- GP-06: Analog/Current Loop Output
- GP-07: 5-meter connection cable(factory option) (For GP-30KS & GP-100KS)
- GP-12: Animal weighing pan
- GP-20: Underhook (For GP-12K/20K/32K/30K/30KS and GP-40K)
- GP-21: Underhook (For GP-60K/100K/100KS and GP-102K)
- GP-22: AD-8121B Printer Support

## Accessories

- AX-KO1710-200: RS-232C cable (25P-9P)
- AX-SW-128: Foot Switch

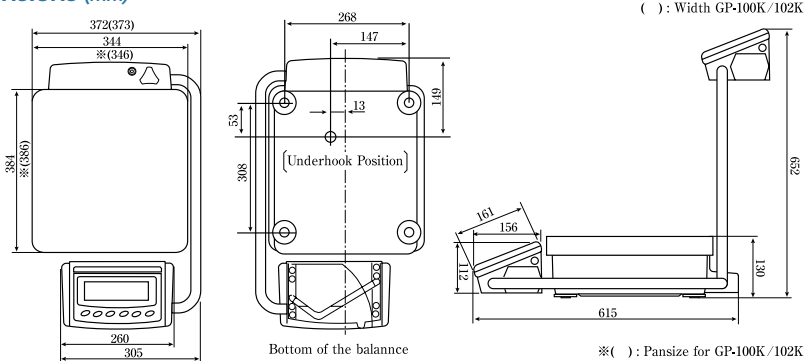
## Peripherals (sold separately)

- AD-1682: Rechargeable Battery Unit
- AD-8920: Remote Display
- AD-8121B: Dot Matrix Compact Printer
- AD-8118B: Universal Printer
- AD-8922: Remote Controller



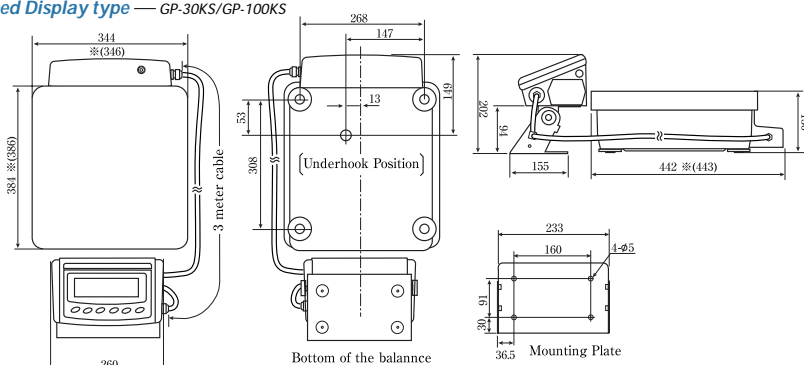
AD-1682: Rechargeable Battery Unit

## Dimensions (mm)



## Swing Arm-Display type

## Detached Display type — GP-30KS/GP-100KS



Dimensions with \*( ) are for the GP-100KS

Specifications subject to change for improvement without notice.

# AND

...Clearly a Better Value

**A&D Company, Limited**

3-23-14 Higashi-Ikebukuro, Toshima-ku, Tokyo 170-0013 JAPAN  
Telephone:[81](3) 5391-6132 Fax:[81](3) 5391-6148  
http://www.aandd.jp

**A&D ENGINEERING, INC.**

1555 McCandless Drive, Milpitas, CA. 95035 U.S.A.  
Telephone:[1](408) 263-5333 Fax:[1](408) 263-0119

**A&D MERCURY PTY. LTD.**

32 Dew Street, Thebarton, South Australia 5031 AUSTRALIA  
Telephone:[61](8) 8301-8100 Fax:[61](8) 8352-7409

**A&D INSTRUMENTS LTD.**

Unit 24/26 Blacklands Way Abingdon Business Park,  
Abingdon, Oxon OX14 1DY United Kingdom  
Telephone:[44](1235) 550420 Fax:[44](1235) 550485

**<German Sales Office>**

Große Straße 13 b 22926 Ahrensburg GERMANY  
Telephone:[49](0) 4102 459230 Fax:[49](0) 4102 459231

**A&D KOREA Limited**

Manhattan Bldg. 8F, 36-2 Yoido-dong, Youngdeungpo-gu, Seoul, KOREA  
Telephone:[82](2) 780-4101 Fax:[82](2) 782-4280